



IC-M330G
(With GPS Receiver)

IC-M330
(Without GPS Receiver)

VHF MARINE TRANSCEIVERS

Top Performance Ultra Compact VHF



IC-M330G Black version

Ultra Compact Body

(W × H × D; 156.5 × 66.5 × 88.2 mm; 6.2 × 2.6 × 3.5 in)

Easy Installation in Limited Space

New Speaker Delivers Dynamic, Clear Audio

Built-in Class D DSC with a CH70 Dedicated Receiver

(IC-M330G meets ITU-R M.493-14)

Class Leading Receiver Performance

(IMD and Selectivity: more than 70 dB)

Intuitive Operation with Icom Marine User Interface

GPS Receiver Built-in with Supplied GPS Antenna (IC-M330G)



Easy-to-Read Full Dot-Matrix Display

IPX7 Submersible Construction

(1 m depth of water for 30 minutes)

AquaQuake™ Draining Function

Made in Japan Quality and Reliability



IC-M330G White version

Ultra Compact Body, Flexible Installation

The IC-M330/G has a palm-sized compact body (W×H×D; 156.5 × 66.5 × 88.2 mm; 6.2 × 2.6 × 3.5 in). The radio can be installed in limited space.

New Speaker Delivers Dynamic, Clear Audio

A new speaker design delivers dynamic and clear sound over a wide bass and treble range. The IC-M330/G provides a distortion-free clear audio even at full volume.

Built-in Class D DSC

The radio monitors CH 70 continuously, even while you are receiving another channel. DSC functions include: distress, individual, group, all ships, urgency, safety, position request/report, polling request and DSC test calls.

Class Leading Receiver Performance

The radio provides reliable communication in RF busy environment like a marina. (Selectivity and IMD: more than 70 dB)

Intuitive Operation with Icom Marine User Interface

A combination of the directional keypad and soft keys provides simple, smooth operation. Most used functions are assigned to soft keys for quick one push function access.

GPS Receiver Built-in (IC-M330G)

A built-in GPS receiver provides your location, bearing and speed by using information from GPS, GLONASS and SBAS. The acquired position information can be used for DSC calls.



Supplied GPS antenna

Made in Japan Quality and Reliability

All Icom products are tested to pass rigorous in-house tests as well as environmental tests at the Wakayama Icom plant before shipping. Our world-leading products and quality is tradition.

And More

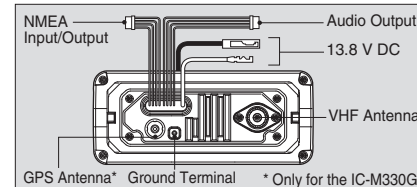
- IPX7 submersible (1 m depth of water for 30 minutes)
- AquaQuake™ prevents audio degradation from a water-logged speaker
- Common NMEA interface for external GPS/NAV connection
- MA-500TR Class B AIS transponder compatible
- Tag scan and favorite channel functions
- Dual/tri-watch function for monitoring CH16 and/or call channel
- Priority scan function • Display and keypad backlighting
- External speaker connection • Weather channel with weather alert
- Supplied hand microphone, HM-235B/W, with channel up/down keys and a CH16/Call channel key
- 3-digit or 4-digit channel display selectable

OPTIONS



HM-235B/W
HAND MICROPHONE
Same as supplied.

REAR PANEL VIEW



SPECIFICATIONS

GENERAL		
Frequency range	Tx Rx CH70	156.025–161.600 MHz 156.050–163.275 MHz 156.525 MHz
Usable channels		USA, CAN, INT, WX channels
Type of emission		16K0G3E (FM), 16K0G2B (DSC)
Power supply requirement		13.8 V DC nominal (11.7–15.9 V DC)
Current drain (at 13.8 V DC)	Tx Rx AF max.	25 W output 1 A
Operating temperature range		–20°C to +60°C; –4°F to +140°F
Antenna impedance		50 Ω (SO-239)
Dimensions (W×H×D) (projections not included)		156.5 × 66.5 × 88.2 mm; 6.2 × 2.6 × 3.5 in
Weight (approx.)		730 g; 1.6 lb
NMEA formats	In Out	RMC, GGA, GNS, GLL, VTG DSC, DSE, RMC, GSA, GSV
TRANSMITTER		
Output power (at 13.8 V DC)		25 W, 1 W
Max. frequency deviation		±5 kHz
Frequency tolerance		±5 ppm
Spurious emissions		Less than –70 dBc (High) Less than –56 dBc (Low)

RECEIVER		
Sensitivity	Main DSC	–13 dBμ typ. (12 dB SINAD) –5 dBμ emf typ. (1% BER)
Squelch sensitivity		Less than –10 dBμ
Adjacent channel selectivity	Main DSC	More than 70 dB More than 73 dBμ emf (1% BER)
Spurious response	Main DSC	More than 70 dB More than 73 dBμ emf (1% BER)
Intermodulation	Main DSC	More than 70 dB More than 68 dBμ emf (1% BER)
Hum and noise		More than 40 dB
Audio output power (at 10% distortion, 4 Ω load)		4.5 W typical

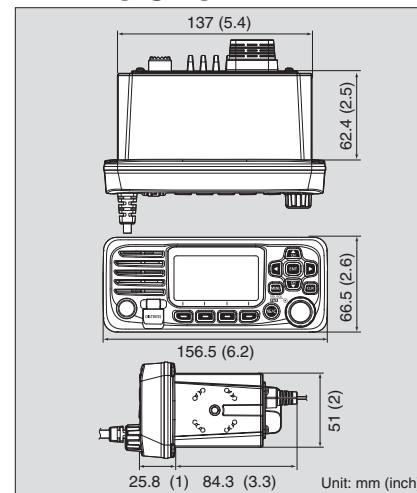
Measurements made in accordance with TIA/EIA-603. All stated specifications are subject to change without notice or obligation.

Applicable IP Rating

Ingress Protection Standard	
Water	IPX7 (Waterproof protection)

Supplied accessories: * Only for the IC-M330G.	
• HM-235B/W hand microphone	• DC power cable
• Mounting bracket kit	• GPS antenna (5 m; 16.4 ft cable)*

DIMENSIONS



Icom and Icom logo are registered trademarks of Icom Incorporated (Japan) in Japan, the United States, the United Kingdom, Germany, France, Spain, Russia, Australia, New Zealand and/or other countries. AQUAQUAKE is a trademark of Icom Inc. (Japan). All other trademarks are the properties of their respective holders.

Icom Inc.

1-1-32, Kamiminami, Hirano-Ku, Osaka 547-0003, Japan Phone: +81 (06) 6793 5302 Fax: +81 (06) 6793 0013

www.icomjapan.com

Icom America Inc.
www.icomamerica.com

Icom (Europe) GmbH
www.icomeurope.com

Icom (Australia) Pty. Ltd.
www.icom.net.au

Your local distributor/dealer:

Icom Canada
www.icomcanada.com

Icom Spain S.L.
www.icomspain.com

Icom Asia Co., Ltd.
www.icomasia.com

Icom Brazil
E-mail: sales@icombrasil.com

Icom (UK) Ltd.
www.icomuk.co.uk

Icom France s.a.s.
www.icom-france.com