

DS-4612ZJ-PA
Pendant Mount



- For pendant mount

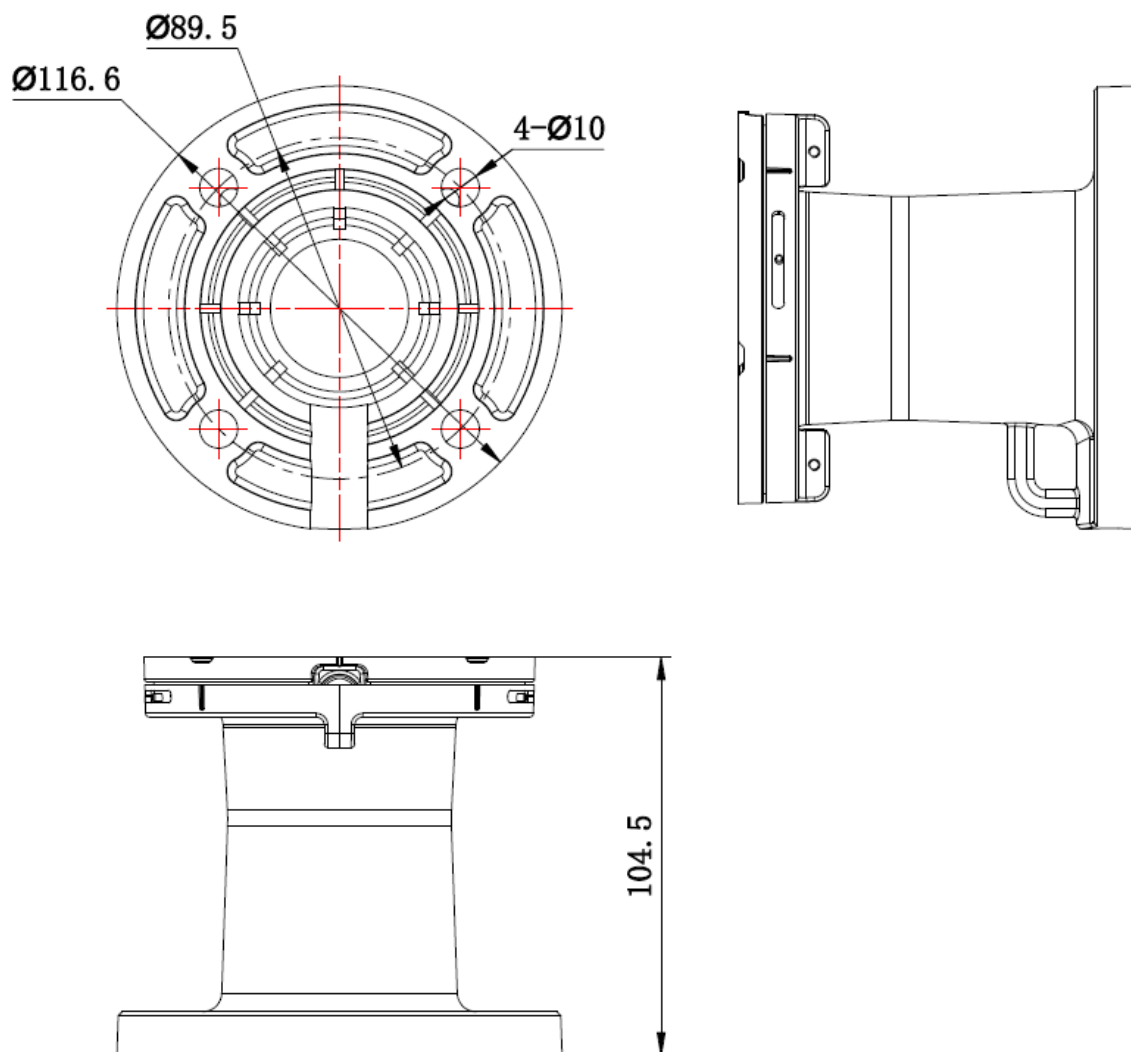
▪ **Specification**

Parameters	
Weight	Approx. 0.75 kg (1.65 lb.)
Appearance	Platinum gray
Material	Aluminum Alloy
Dimension	117 × 117 × 105 mm (4.61" × 4.61" × 4.14")

▪ **Available Model**

DS-4612ZJ-PA

▪ **Dimension**



▪ **Accessory**



DS-2DF8C442IXG1-EL(W)(Y)



DS-2DF8C842IXG1-EL(W)(Y)



DS-2DF8A442NXG1-EL



DS-2DF8C445IXG1-EL(W)(Y)



DS-2DF8A442IXG1-F



DS-2DF8A442IXG1-EL(Y)

Headquarters

No.555 Qianmo Road, Binjiang District,
Hangzhou 310051, China
T +86-571-8807-5998
www.hikvision.com



Follow us on social media to get the latest product and solution information.

