

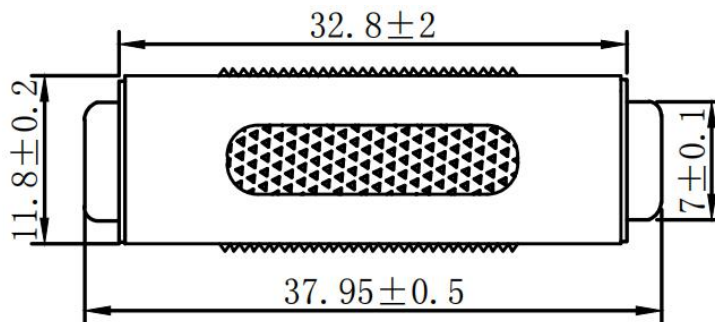
Model: TT-DC704

Specifications:



- Gender: DC female
- Plug size: 5.5*2.5 to 5.5*2.5
- Voltage range: DC 0~36V
- Max. current: 3A
- Insulation resistance: 10MΩ
- Operating temperature: -20°C~70°C

Diagram



| No. | Designation | Material |
|-----|---------------|---------------|
| 1 | DC male | Copper |
| 2 | Male surface | Nickel plated |
| 3 | Black plastic | PVC |