

S16-TURBO-G3 TURBO HD DVR

Key Feature

- H.265 Pro+/H.265 Pro/H.265 video compression
- HDTVI/AHD/CVI/CVBS/IP video input
- Audio via coaxial cable
- Up to 18-ch IP camera input (up to 5 MP)
- Max. 800 m for 1080p and 1200 m for 720p HDTVI signal transmission
- Up to 10 TB capacity per HDD



Compression and Recording

- H.265 Pro+ video compression improves encoding efficiency and reduces data storage costs
- Full channel recording at up to 1080p lite resolution

Storage and Playback

- Smart search for efficient playback

Network & Ethernet Access

- Hik-Connect & DDNS (Dynamic Domain Name System) for easy network management
- 96 Mbps total bandwidth

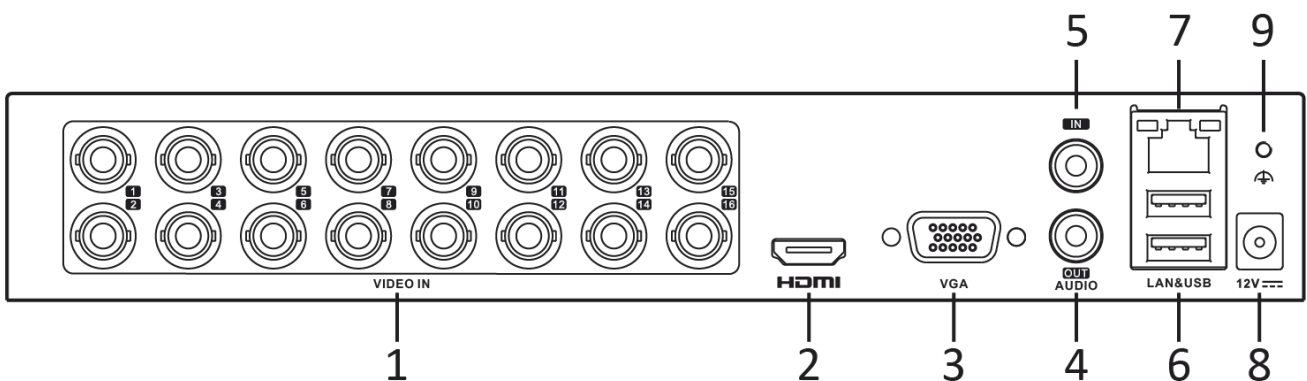
Specification

Model	S16-TURBO-G3
Recording	
Video compression	H.265 Pro+/H.265 Pro/H.265/H.264+/H.264
Encoding resolution	1080p lite/720p/VGA/WD1/4CIF/CIF
Frame rate	<p>Main stream:</p> <p>For 1080p stream access: 1080p lite/720p lite/WD1/4CIF/VGA@15 fps; CIF@25 fps (P)/30 fps (N)</p> <p>For 720p stream access: 720p/WD1/4CIF/VGA@15 fps; CIF@ 25fps (P)/30 fps (N)</p> <p>For standard definition stream access: WD1/4CIF/VGA/CIF@25 fps (P)/30 fps (N)</p> <p>Sub-stream:</p> <p>For 1080p and 720p stream access: CIF/QVGA@15 fps</p> <p>For standard definition stream access: CIF/QVGA@25 fps (P)/30 fps (N)</p>
Video bit rate	32 Kbps to 4 Mbps
Dual stream	Support
Stream type	Video, Video & Audio
Audio compression	G.711u
Audio bit rate	64 Kbps
Video and Audio	
IP video input	<p>2-ch (up to 18-ch)</p> <p>Up to 5 MP resolution</p> <p>Support H.265+/H.265/H.264+/H.264 IP cameras</p>
Analog video input	<p>16-ch</p> <p>BNC interface (1.0 Vp-p, 75 Ω), supporting coaxitron connection</p>
HDTVI input	1080p25, 1080p30, 720p25, 720p30
AHD input	1080p25, 1080p30, 720p25, 720p30
HDCVI input	1080p25, 1080p30, 720p25, 720p30
CVBS input	PAL/NTSC
HDMI/VGA output	<p>1-ch, 1920 × 1080/60Hz, 1280 × 1024/60Hz, 1280 × 720/60Hz, 1024 × 768/60Hz</p> <p>HDMI/VGA simultaneous output</p>
Audio input	1-ch RCA (2.0 Vp-p, 1 KΩ), and 16-ch via coaxial cable
Audio output	1-ch, RCA (Linear, 1 KΩ)
Two-way audio	1-ch, RCA (2.0 Vp-p, 1 KΩ) (using the audio input)
Synchronous playback	16-ch
Network	
Remote connections	128
Network protocols	TCP/IP, PPPoE, DHCP, Hik-Connect, DNS, DDNS, NTP, SADP, NFS, iSCSI, UPnP™, HTTPS, ONVIF
Network interface	1, RJ45 10/100 Mbps self-adaptive Ethernet interface
Auxiliary interface	
SATA	1, SATA interface
Capacity	Up to 10 TB capacity for each disk
USB interface	Rear panel: 2 × USB 2.0
General	

Specification

Power supply	12 VDC, 1.6 A
Consumption (without HDD)	≤ 7 W
Working temperature	-10 °C to 55 °C (14 °F to 131 °F)
Working humidity	10% to 90%
Dimension (W × D × H)	285 × 210 × 45 mm (11.2 × 8.3 × 1.8 inch)
Weight (without HDD)	≤ 1.8 kg (4.0 lb)

Physical Interface



No.	Description	No.	Description
1	Video and Audio in	6	USB Interface
2	HDMI Interface	7	LAN Network Interface
3	VGA Interface	8	12 VDC Power Input
4	AUDIO OUT	9	GND
5	AUDIO IN		