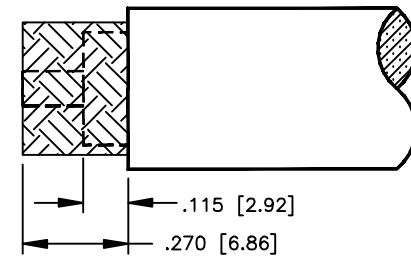
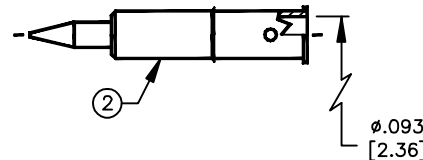
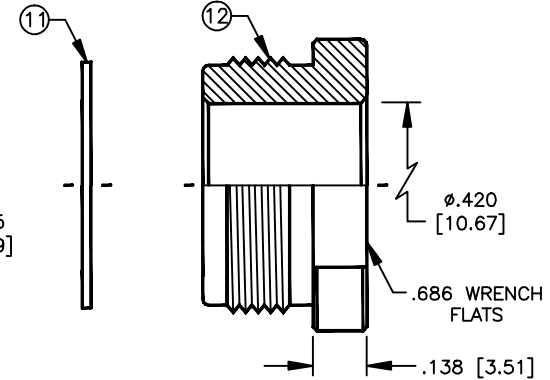
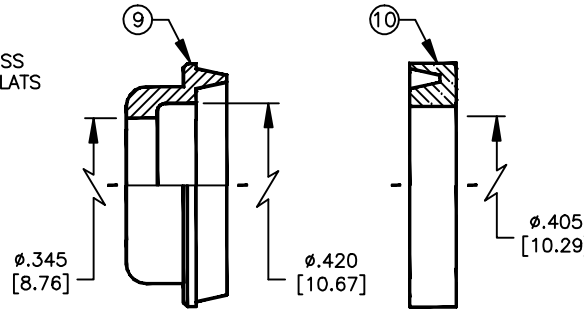
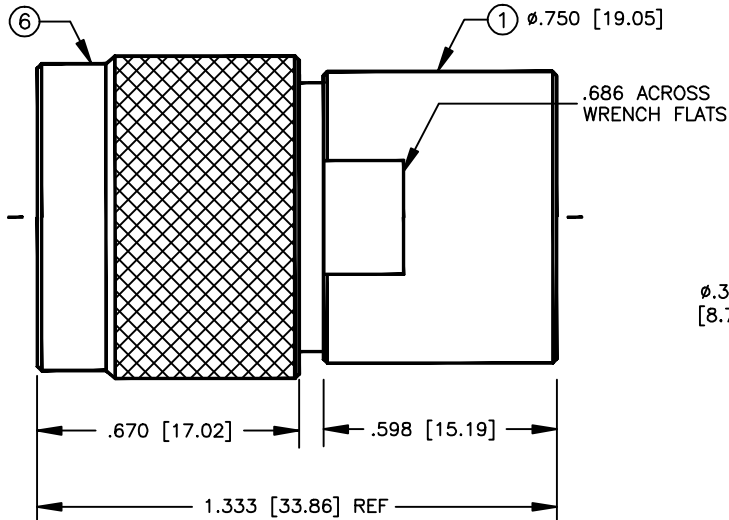


SPECIFICATION CONTROL DRAWING

THIS DRAWING CONTAINS INFORMATION PROPRIETARY TO RF INDUSTRIES, LTD. ANY UNAUTHORIZED USE OF THIS DRAWING IS EXPRESSLY PROHIBITED. ANY VIOLATION IS PUNISHABLE UNDER U.S. COPYRIGHT LAWS.

| REV | DESCRIPTION | DWN | DATE | APPROVED |
|-----|---|-----|---------|----------|
| C | ADD NUT AND BODY CALL OUTS | KMM | 8/30/94 | R. RICE |
| D | UPDATE \ CHANGE DIMS \ SEPARATE BODY IN DWG | KMM | 6/3/97 | R. RICE |
| E | ADD CLAMP DIM / CHG STRIPPING INST | CZS | 6/19/98 | R. RICE |
| F | STANDARDIZE SHELL & BODY / CHG DIE ID & STRIP INSTR | CZS | 2/9/99 | R. RICE |

ALL DIMENSIONS ARE REFERENCE ONLY



SUGGESTED STRIPPING INSTRUCTIONS
SUGGESTED DIE: .100

000000

SPECIFICATIONS:

IMPEDANCE: 50 OHMS
WORKING VOLTAGE: 1000 VRMS @ SEA LEVEL
FREQUENCY RANGE: 0-11 GHz
INSERTION LOSS: ≤ -.2 dB @ 10 GHz
VSWR MAX: 1.3:1 @ 9 GHz
FOR RG-8, 8A, 213/U, BELDEN 8237, 8267, 9251 & 9880
INTERFACE PER MIL-STD-348A, SECTION 304.1

| ITEM | DESCRIPTION | QTY | MATERIAL | FINISH |
|------|------------------|-----|-------------|--------|
| 12 | END NUT | 1 | BRASS | SILVER |
| 11 | WASHER | 1 | BRASS | SILVER |
| 10 | GASKET | 1 | S.I. RUBBER | RED |
| 9 | CLAMP | 1 | BRASS | SILVER |
| 8 | PRESS FIT WASHER | 1 | BRASS | SILVER |
| 7 | RETAINING RING | 1 | BRASS | NONE |
| 6 | SHELL | 1 | BRASS | SILVER |
| 5 | GASKET | 1 | S.I. RUBBER | RED |
| 4 | GROUND RING | 1 | BRASS | SILVER |
| 3 | DIELECTRIC | 1 | PTFE | NONE |
| 2 | PIN (PIN-305-10) | 1 | BRASS | GOLD |
| 1 | BODY | 1 | BRASS | SILVER |

DIMENSIONS ARE IN INCHES AND [MILLIMETERS]

UNLESS OTHERWISE NOTED TOLERANCES ARE:

DECIMALS DIAMETER

DRAWN C. ZUNIGA 2/9/99

CHECKED

ORJ DRAWN D. FRIAS 1/22/88

APPROVALS DATE

RFconnectors
DIVISION OF RF INDUSTRIES, LTD.

7610 MIRAMAR RD
SAN DIEGO, CA 92126
(619)549-6340
(619)549-6345 FAX

RFN-1002-1S \ UG-21E/U

N MALE CLAMP

| SIZE | CABLE GROUP | DWG NO. | REV |
|------|-------------|---------|-----|
| A | E | 7806 | F |

SCALE: 2:1

CAD FILE 13ARC B

SHEET 1 OF 1