

LE7TURBOIG2

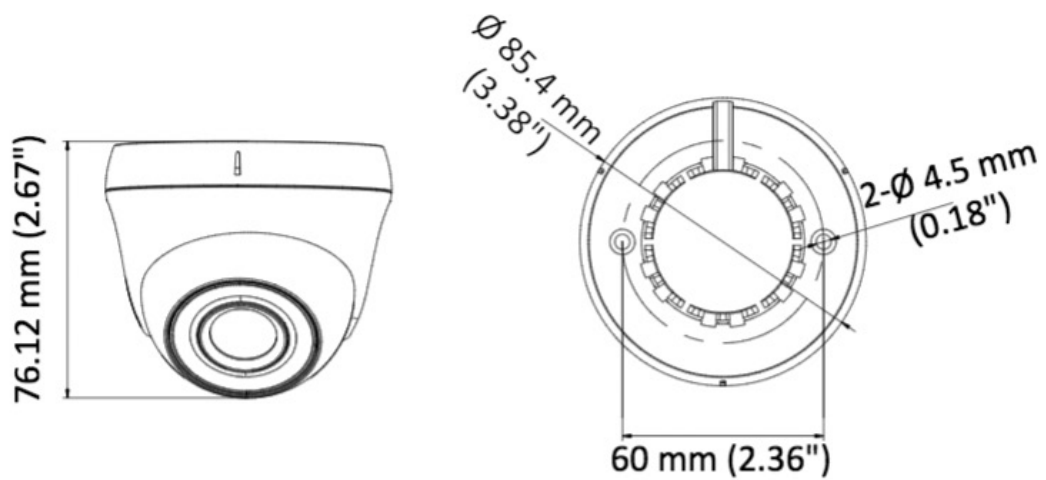
1 MP EXIR Turret Camera

Key Features

- 1 MP high-performance CMOS
- 1280 × 720 resolution
- 2.8 mm, 3.6 mm, 6 mm fixed focal lens
- Day/Night switch
- EXIR 2.0, smart IR, up to 20 m IR distance
- 4 in 1 video output (switchable TVI/AHD/CVI/CVBS)
- Switchable TVI/AHD/CVI/CVB



Dimension



Specifications

Camera	
Image Sensor	1 MP CMOS image sensor
Signal System	PAL / NTSC
Effective Pixels	1280 (H) × 720 (V)
Min. Illumination	0.01 Lux@(F1.2, AGC ON), 0 Lux with IR
Shutter Time	1/25 (1/30) s to 1/50,000 s
Lens	2.8 mm, 3.6 mm, 6 mm
Horizontal Field of View	92° (2.8 mm), 70.9° (3.6 mm), 56.7° (6 mm)
Lens Mount	M12
Day & Night	IR cut filter
Angle Adjustment	Pan: 0° to 360°, Tilt: 0° to 75°, Rotation: 0° to 360°
Synchronization	Internal synchronization
Video Frame Rate	PAL:720p@25fps NTSC: 720p@30fps
Menu	
AGC	High/Middle/Low/Of
D/N Mode	Smart/Color/BW (Black and White)
BLC	Support
WDR	Support
Language	English, Chinese
Functions	Sharpness, Contrast, Color Gain, DNR
Interface	
Video Output	1 HD analog output
Switch Button	TVI/AHD/CVI/CVBS
General	
Operating Conditions	-40 °C to 60 °C (-40 °F to 140 °F), Humidity: 90% or less (non-condensation)
Power Supply	12 VDC ±15%
Power Consumption	Max. 4 W
Material	Plastic
IR Range	Up to 20 m
Dimensions	Ø 85.4 mm × 76.12 mm (Ø 3.38" × 2.67")
Weight	130 g (0.29 lb.)