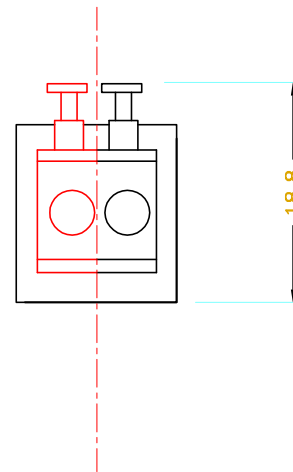
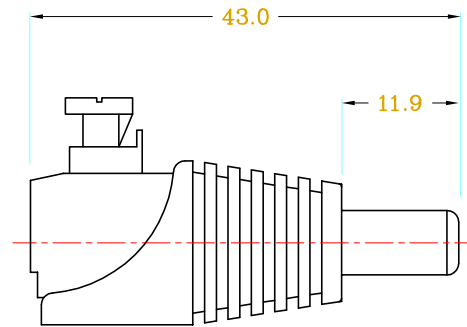


Version	Explain	Date
A		2015. 10. 17



Material

Housing: OA66 UL94V-0

Pin header: Brass, Tin-Plated

Scrcrew: Steel. ZincPlated

Electrical

Rated Voltage: 300V

Rated current: 10A

Contact resistance: 20mΩ

Withstanding Voltage: 2000V/Min

Insulation Resistance: 5000mΩ /DC1000V

Mechanical&operating ambient

Wire Range : 26-14AWG

Strip length: 6-7mm

Temp. Range: -40° C/+105° C

AX soldering: +250° C 5Sec

**epcom**®

POWER ⚡ LINE

general tolerance	CUSTOMER:	CUST NO:
X ±0.1	PRODUCT NO:	PART NO:
X.X ±0.05	Adaptador tipo jack de 3.5 mm macho con terminales de presión	JR52X
X.XX ±0.005		
X.XXX ±0.0002	DRAWN BY	DRAWING SIZE
	CHECKED BY	UNIT mm
	APPROVED BY	PAGE 1 OF 1
	SORTING NO.	⊕