

GFS-8G

The equipment is used as a termination point for the feeder cable to connect with drop cable in FTTx communication network system. The fiber splicing, splitting, distribution can be done in this box, and meanwhile it provides solid protection and management for the FTTx network building.

Features

- Total enclosed structure.
- Material: PC+ABS, wet-proof、water-proof、dust-proof、anti-aging, protection level up to IP65。
- Clamping for feeder cable and drop cable, fiber splicing, fixation, storage, distribution.etc all in one.
- Cable, pigtails, patch cords are running through own path without disturbing each other, cassette type SC adaptor installation, easy maintenance.
- Distribution panel can be flipped up, feeder cable can be placed in a cup-joint way, easy for maintenance and installation.
- Can be installed by the way of wall-mounted or poled-mounted, suitable for both indoor and outdoor uses.

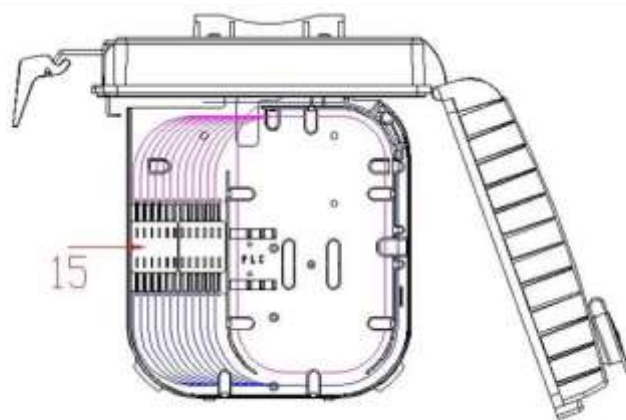
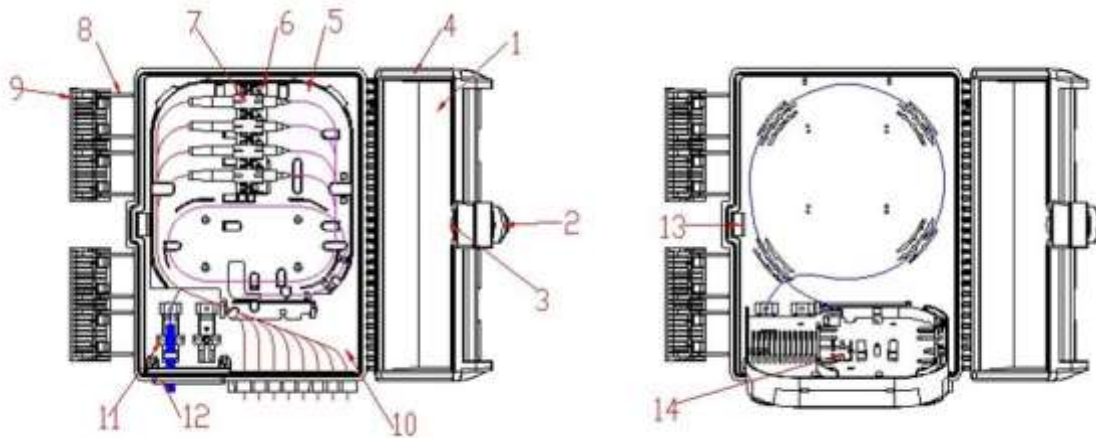


Specification

Item	Parameter
Dimension	293*219*84 (mm)
Adaptor capacity	8 pcs SC/APC
Splitter	1*1:8
Main Cable	2 ports of 6-12mm
Drop cable capacity	16 ports of 2x3 mm
Protection Level	IP 65
Cover Material	PC + ABS
Working temperature	-40°C~+85°C
Relative humidity	≤85% (+30°C)
Atmospheric pressure	70KPa~106Kpa
Insertion loss	≤0.2dB
UPC return loss	≥50dB
APC return loss	≥60dB
Life of insertion and extraction	> 1000 times
Color	Black

GFS-8G

Installation



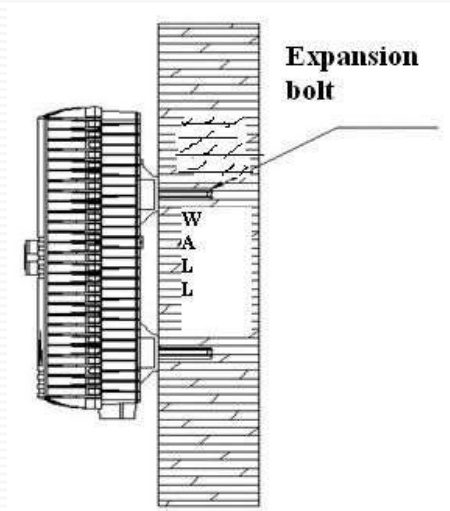
1.Lid; 2.Lock coat; 3.Lock; 4.Seal gasket; 5.Splicing flap plate; 6.Adaptor holder; 7.Adaptor; 8.Lid lock joint bracket; 9.Lid lock clip; 10.Base; 11. Cable strengthen mould layer; 12. Joint (Option) ; 13.Lock panel; 14.PLC mounting position; 15. Hot tube fixer

GFS-8G

Installation

1. Wall-mounted installation

Drill 4 holes over the wall based on the size in table 1, place the expansion bolt $\Phi 7.5 \times 40$, place the box to match up the holes and use bolt to fasten.



2. Pole-mounted installation

Fix 1 set of the easy pole ring to the telecom pole .

