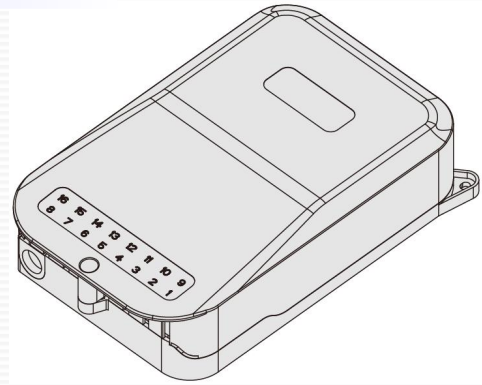


FTB-523 Fiber Termination Box

FTB-523 fiber termination box is the product used in FTTH network for different scene requirements of one lever split. The function of fiber splicing, termination, storage and scheduling can be provided. Splitter can be installed in the box. The box is the important device in fiber access network.

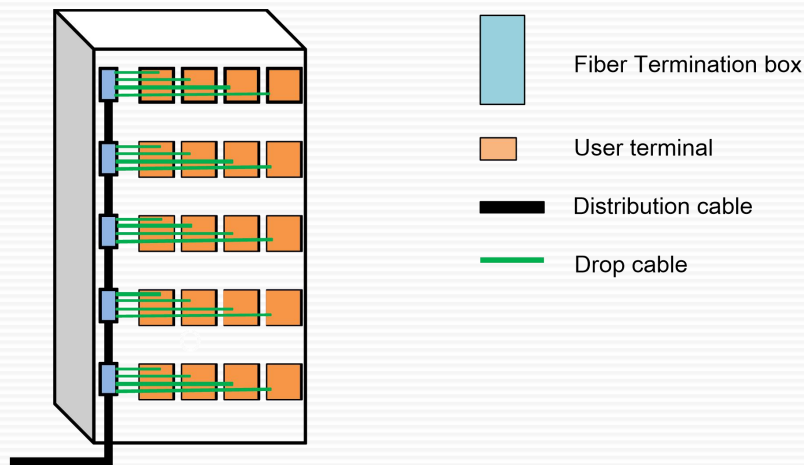
Features

- Beautiful and compact model, convenient installation;
- Nontoxic for all the material;
- Non-corrosive for metal component;
- While activating user operation, insert the field assembly connector into the adaptor;
- Adaptors with auto anti-dust cap, push in type;
- Suitable for wall-mounted installation;
- Neat fiber routing management.



Application

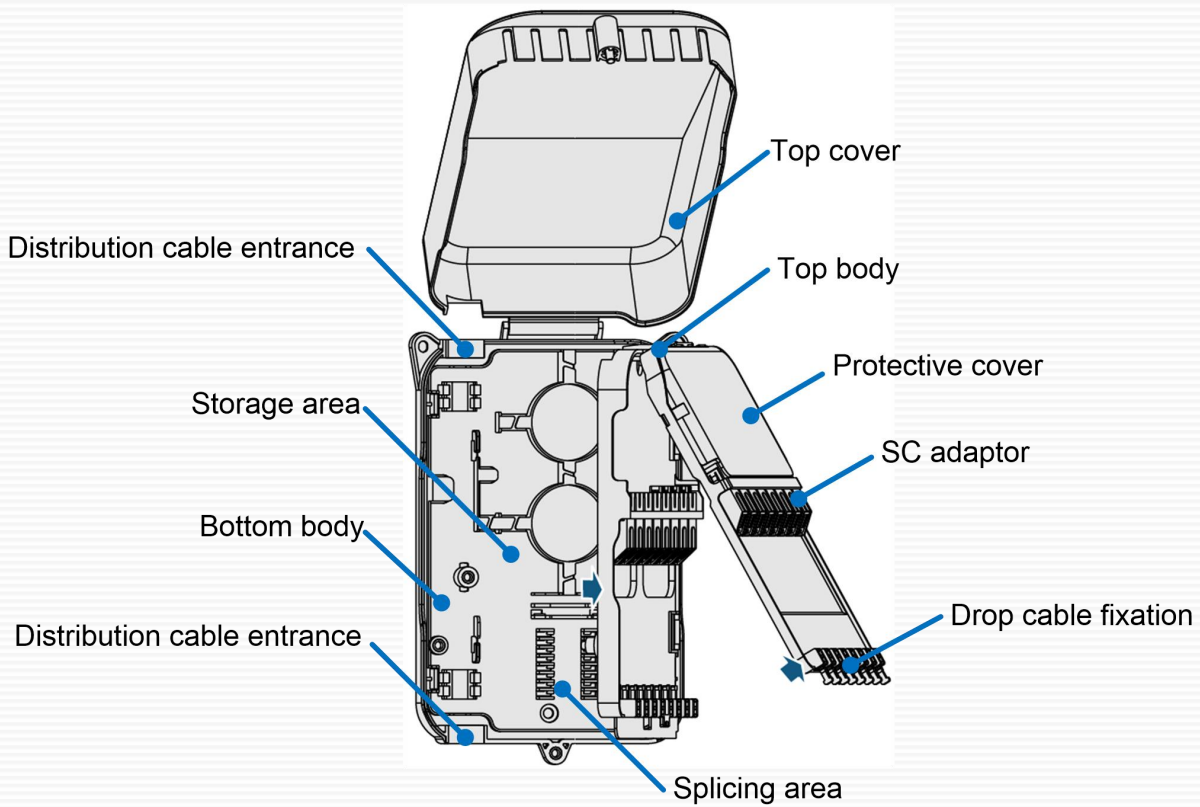
- Fiber termination box is installed on the internal wall of the building



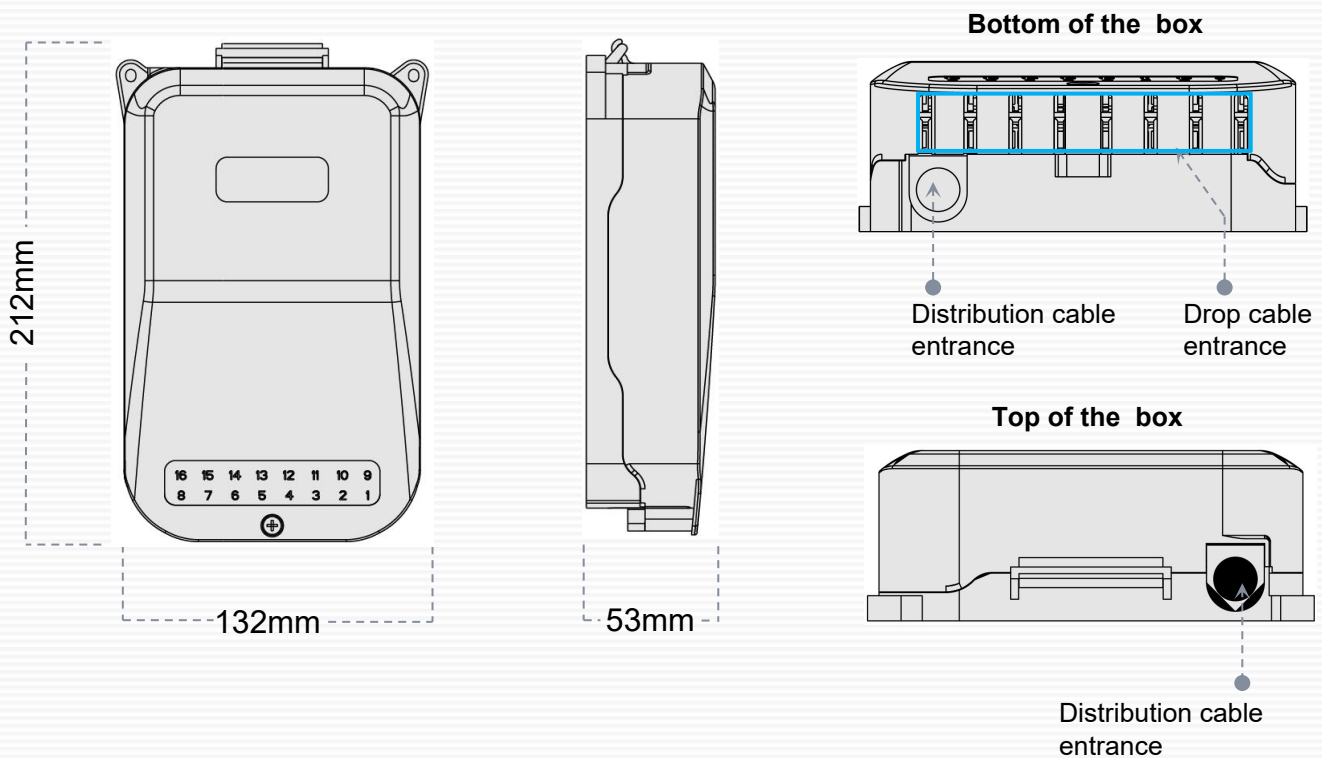
Specification

Item	Specification
Size	212mm×132mm×53mm (H × W × D)
Optical cable access number	≤2 pcs (distribution cable); ≤16 pcs (drop cable)
Max. termination capacity	16
Max. splicing capacity	16
Adaptor capacity	Max. 16 pcs (Suitable for field assembly connector)

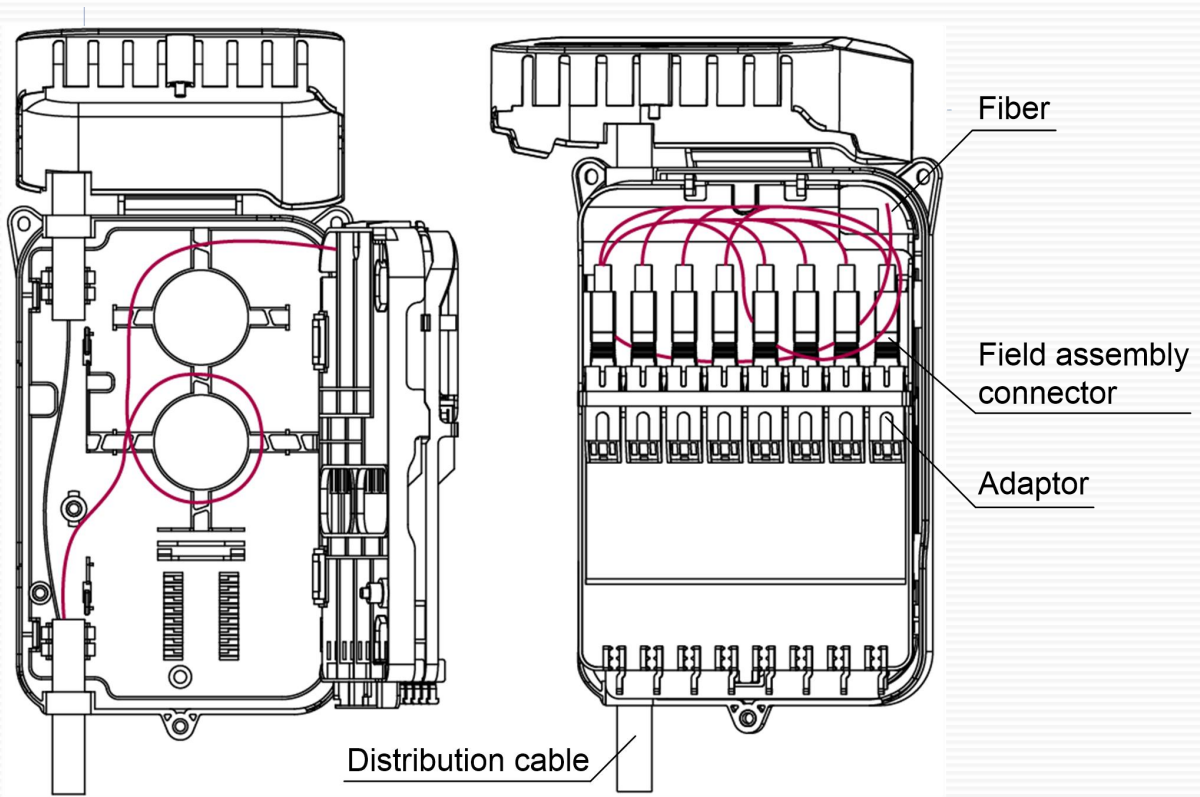
Product Detail



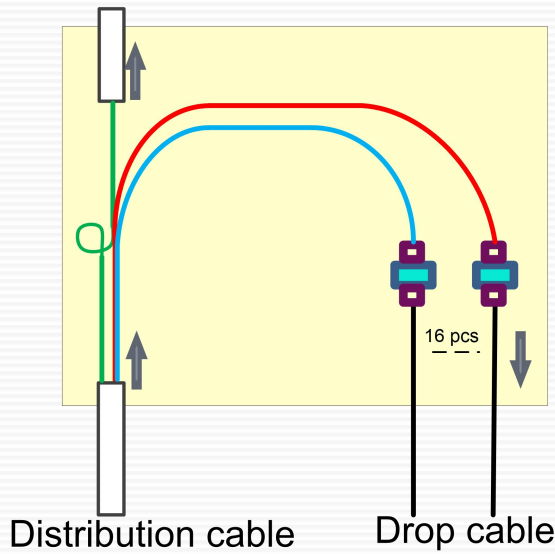
FTB-523 Fiber Termination Box



Cable route



Distribution cable



- Distribution cable
- Drop cable
- Adaptor
- Field assembly connector

Wall-mounted installation

