

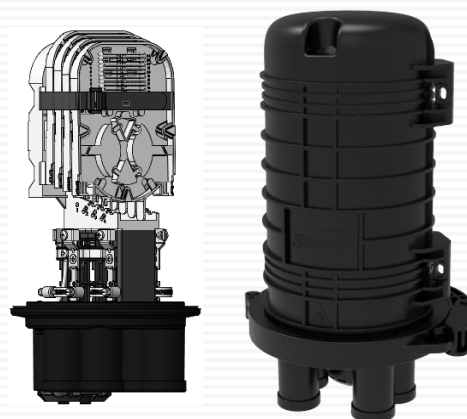
FOSC-220J-C104 Dome-base Closure

FOSC-220J-C104 Dome-base Closure With Mechanical Sealing

FOSC-220J-C104 series are dome-base closure with mechanical sealing, which are designed for all cable application environments such as duct, aerial, buried and man-hole. FOSC supports numerous functions as mid-span, branch and direct splice. Accommodated with flexible splice trays and various accessories are available for many scenarios. Rigorous tests are performed to approve the best quality for network reliability.

Features

- Dome-base design structure with mechanical sealing
- High strength modified polypropylene material
- Mid span operation without cutting the cable
- Flexible grommets for universal standardized cables
- Splitter without connector could be configured inside
- Easy for re-entry and re-open
- Ideal fiber management design
- Protection level: IP68



NO.V1 splice tray

Application

- Outdoor application
- Aerial, wall, pole mounted

Specification

Item	Parameter
	FOSC-220J-C104
Dimension(mm)(D x L)	Φ220 x 360
Diameter (D1)	Φ150 mm
Diameter, with clamp (D2)	Φ180 mm
Splice tray capacity	12F(extensible to 24F)
Splitter could be configured inside	1 pc 1:4 /1:8 each
Number of splice tray	4 pcs
Max capacity (single fiber)	48 cores(extensible to 96F)
Sealing mode	Mechanical sealing
Temperature range(°C)	-40~+65
Main cable diameter maximum	18mm
Color	Black

FOSC-220J-C104 Dome-base Closure

Dimension drawing

