

LB7TURBO / W

Legend Turbo HD Bullet Camera

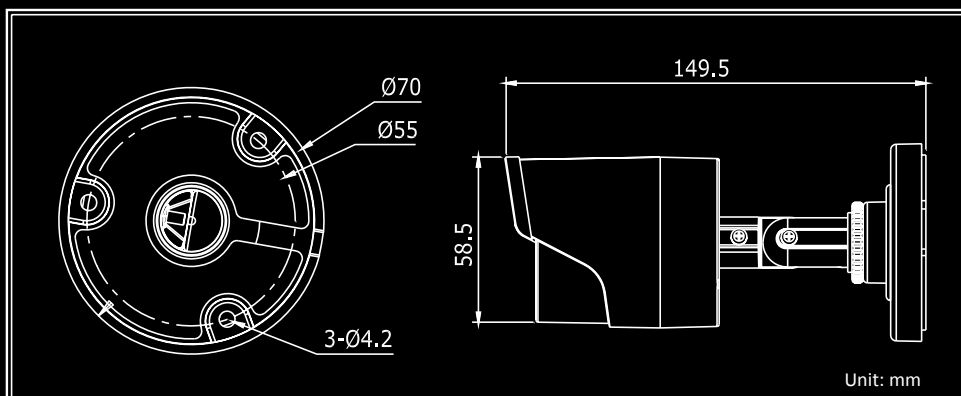


► Camera

Image Sensor	Progressive Scan CMOS
Effective Pixels	1280 (H) * 720(V)
Min. Illumination	0.1 Lux @ (F1.2, AGC ON), 0 Lux with IR
Shutter Time	1/25 (1/30) s to 1/50,000 s
Lens	3.6 mm
	Angle of view: 70.9° (3.6 mm)

► General

Lens Mount	M12
Angle Adjustment	Pan: 0 - 360°, Tilt: 0 - 70°, Rotation: 0 - 360°
Day & Night	ICR
Synchronization	Internal synchronization
Video Frame Rate	720p @ 25 fps / 720p @ 30fps
HD Video Output	1 Turbo HD Output.
Working Temperature	-40° C - 60° C (-40 °F - 140 °F)
/ Humidity	Humidity 90% or less
Power Supply	12 VDC
Power Consumption	Max. 4 W
IR Range	Up to 20 m.
Dimension	Ø 70 x 149.5 mm (Ø 2.76" x 5.89")
Weight (approx.)	290 g. (0.64 lb)



epcom[®]


LEGEND
TURBOHD